



YLI ELECTRONIC

Fail Secure Electric Bolt W/Cylinder

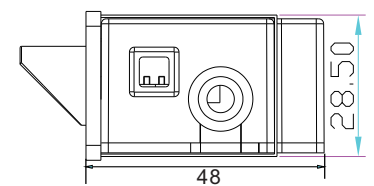
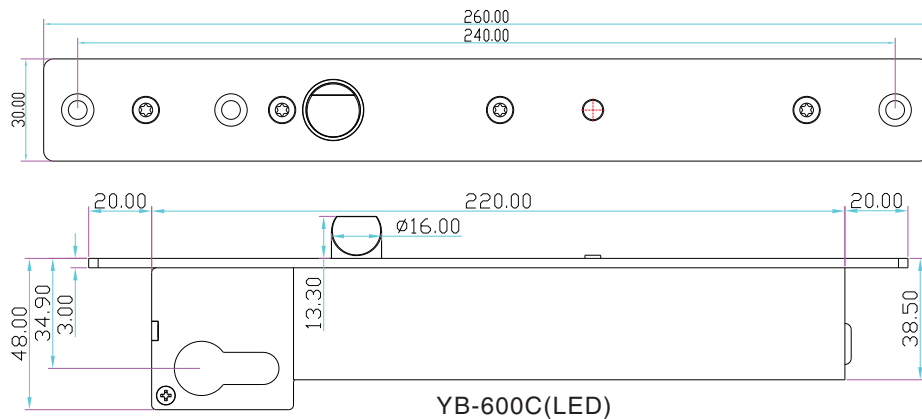


Model:YB-600C(LED)/YB-630C(LED)

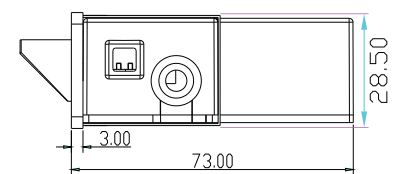
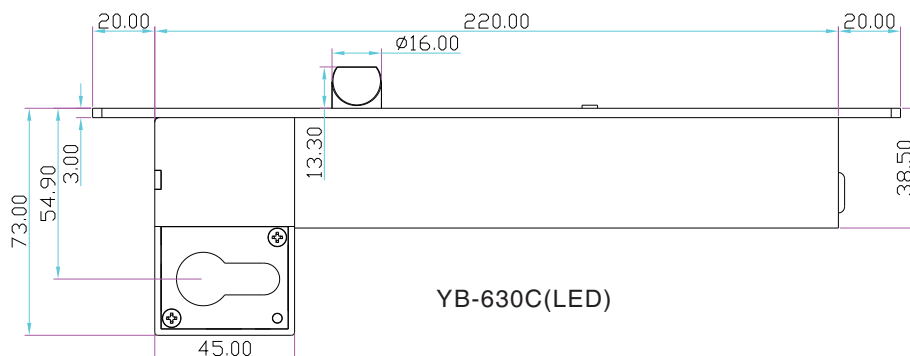
Parameters

Lock Body	260Lx30Wx48H(mm)[YB-600C(LED)] 260Lx30Wx73H(mm)[YB-630C(LED)]
Magnetic Plate	100Lx25Wx2.5H(mm)
Bolt	16(prolongation)*16(diameter)(mm)
Signal Output	Lock signal NO/NC/COM(need order door signal)
Time Delay	0/3/6/9 sec
Voltage	12VDC
Current	Start 1200mA,Standby 200mA
Feature	Fail Secure
LED	Light on indicates locked, light off indicates unlocked
Detection Distance	Within 8mm
Suitable for	Wooden door,metal door,fireproof door,glass door
Material	304 stainless steel, wire draw finishing
Weight	1.6kg/1.8kg

Dimensions



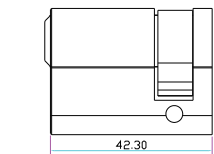
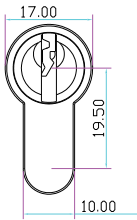
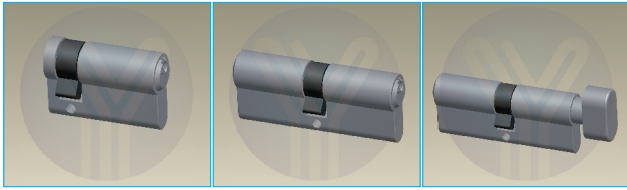
YB-600C(LED)



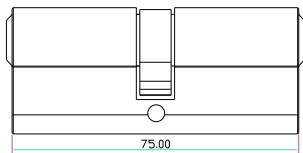
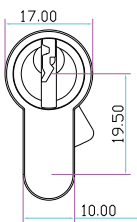
YB-630C(LED)

Optional Accessory

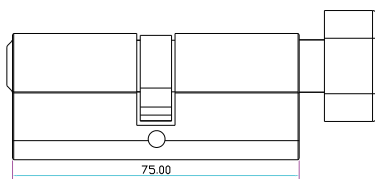
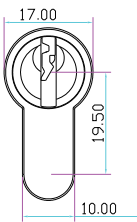
Single side cylinder or both side cylinder, other sizes are available too: 80/90/100/110/120mm.



Single side cylinder



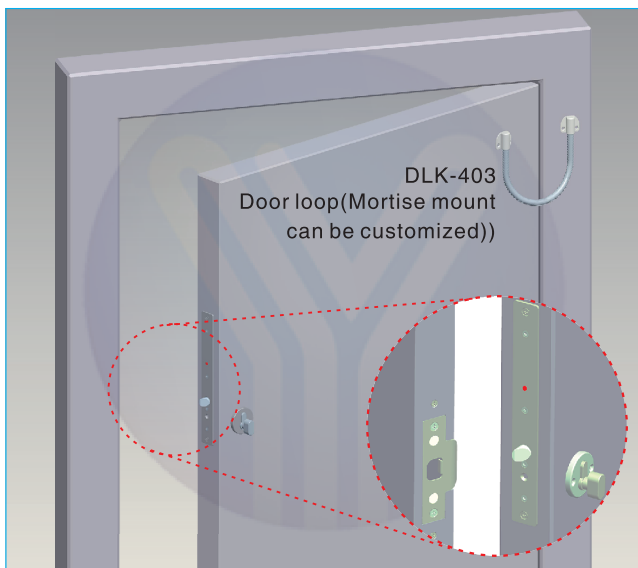
Double side cylinder



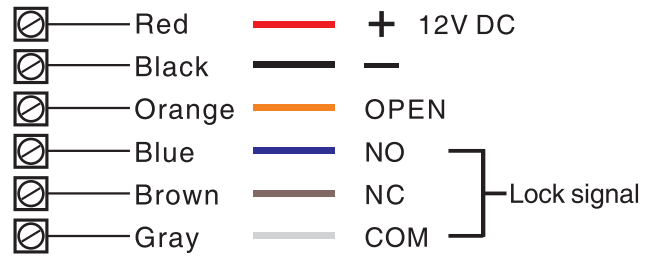
Single side cylinder with Thumb

Optional accessory

The Door Loop is used for protection of extension wiring from damages for security reasons.



Wiring Diagram



Time Delay

Adjust the delay time for locking automatically 0/3/6/9 secs.



0.0 SEC



6.0 SEC



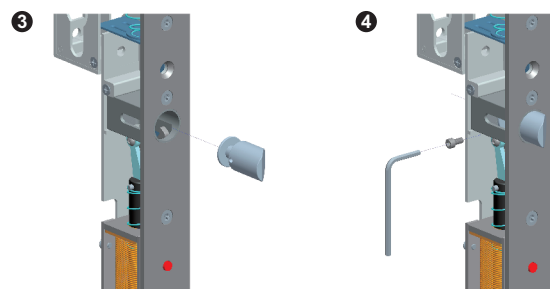
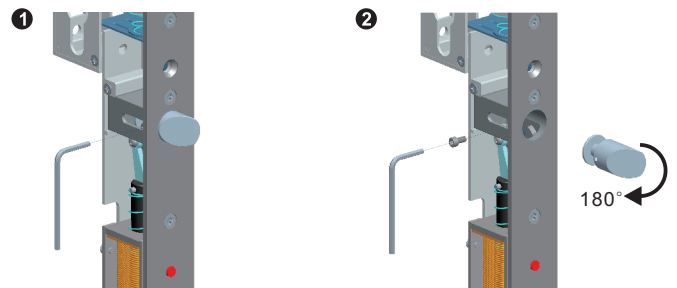
3.0 SEC



9.0 SEC

Adjustable Latch bolt

Please adjust the position of the latch bolt according to the door opening direction.



(Outdoor)

① DIN "Left" outswing

④ DIN "Right" outswing

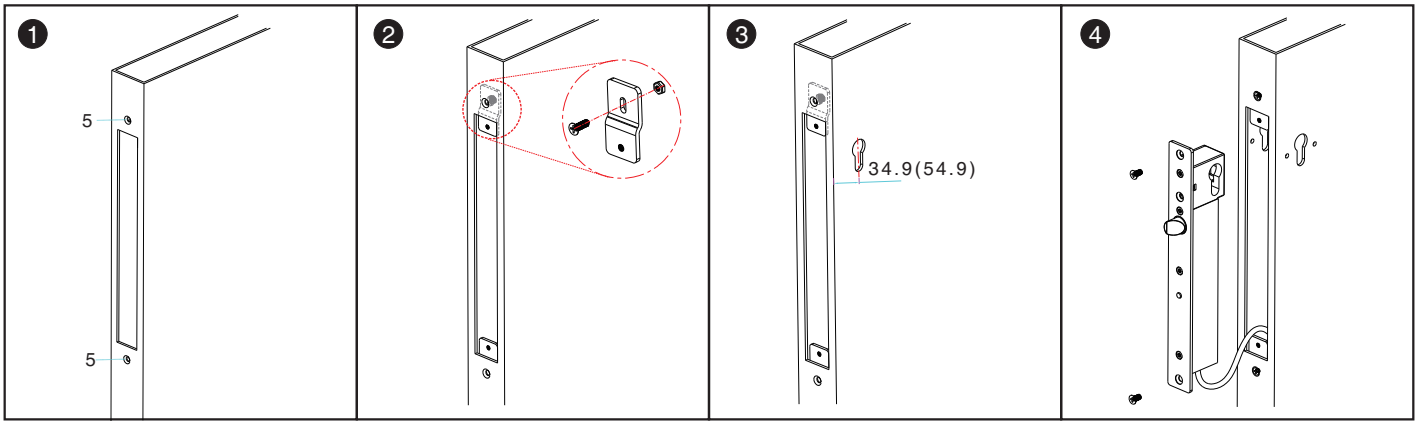


④ DIN "Left" inswing

① DIN "Right" inswing

(Indoor)

Installation steps

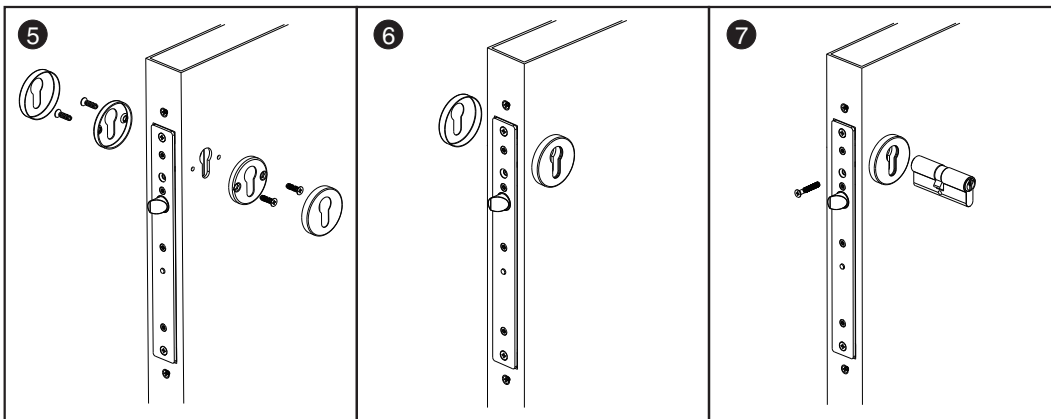


1 Drill and cut out as template indicates

2 Fasten fixing lugs

3 Cut door leaf out for cylinder installation 34.9(54.9)

4 Connect power cable to electric bolt and test it

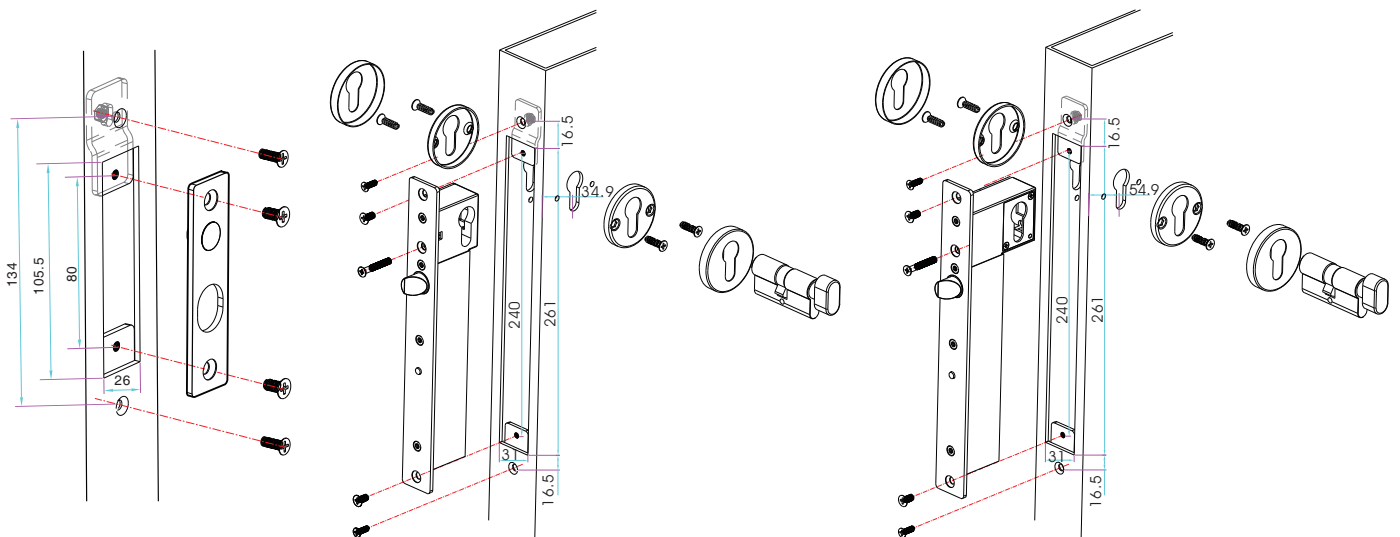


5 Mount electric bolt and cylinder

6 Fix cylinder's cover

7 Use long screw to tighten the cylinder

Installation Schematic



YB-600C(LED)

YB-630C(LED)